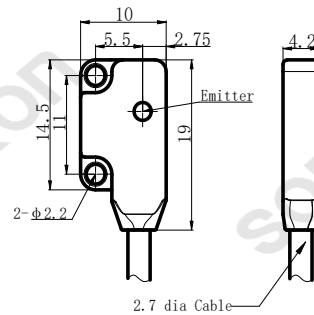
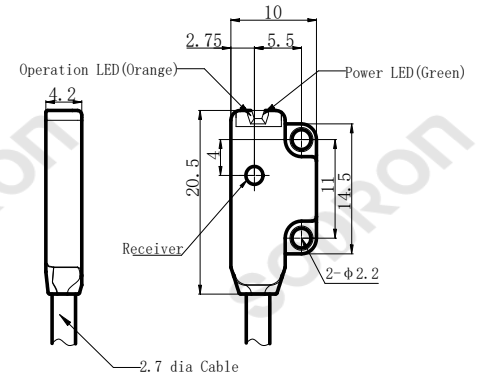


Dimension

Emitter



Receiver



Model	Technical parameters		
PF10-T100BNOR(E) PF10-T100BNCR(E) PF10-T100BPOR(E) PF10-T100BPCR(E)	Sensing method	Through beam	
	Model	NPN PF10-T100BNOR(E) PNP PF10-T100BPOR(E)	PF10-T100BNCR(E) PF10-T100BPCR(E)
	Sensing distance	100cm	
Product Features	Standard target	> Φ2mm (Opaque object)	
<ul style="list-style-type: none"> •Visible red light source for easy alignment. •Compact size for mounting in limited spaces. •IEC IP67 	Output mode	Dark-ON	Light-ON
	Light source	630nm Red LED	
	Supply power	DC 12 ~ 24V ±10% , impulse (P-P) < 10%	
	Residual Voltage	< 1V (Load Current: ≤50mA)	
	Current consumption	< 15mA	
Connection	Load Current	≤50mA	
Transmitter	Circuit protection	Power reverse indirection connection protection, short-circuit protection	
	Response time	< 1ms	
	Indicator light	Output LED: Orange LED, Power/stable: Green LED	
Receiver	Connection	Cable 2m	
	Ambient temperature	Work: -25 ~ +55°C; Store: -30 ~ +70°C ((No dew condensation or icing allowed)	
	Ambient humidity	Work: 35 ~ 85%RH, Store: 35 ~ 95%RH, (No dew condensation)	
	Ambient illumination	Sunlight :10,000Lx, lamplight:3,000Lx	
	Withstand Voltage	1000 VAC, 50/60 Hz, 1 min.	
	Insulation resistance	> 20MΩ (DC500V megger) between current-carrying parts and case	
	Anti-vibration	10~55Hz double-amplitude 1.5mmX,Y,Z 2h	
	Anti-impact	500m/S ² X, Y,Z , directions for 3 times	
	Protection degree	IEC IP67	
	Material	Housing	PBT
		Lens	PC
	Weight	Weight: Approx. 21 g per sensor unit (Tx/Rx); 45 g total packaged weight.	